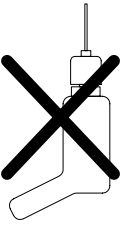
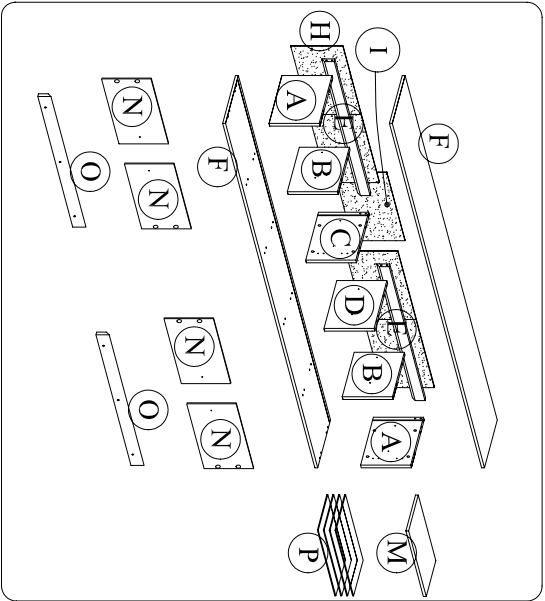
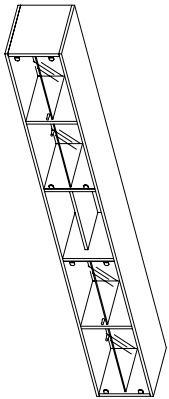


Model 887.



6		= 32	88		= 6
10		= 24	90		= 20
16		= 24	123		= 8
19		= 16	122		= 8
26		= 6	163		= 2
42		= 4	27		= 2
70		= 4	87		= 4
81		= 24	125		= 8
89		= 4	127		= 8

1

6 = 32

2

122 = 8

3

10 = 24